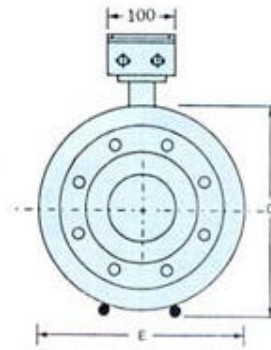
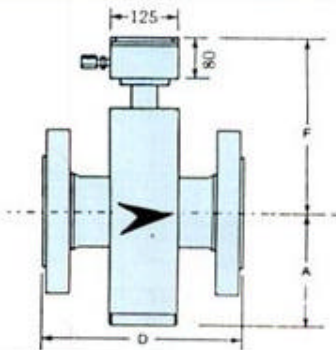
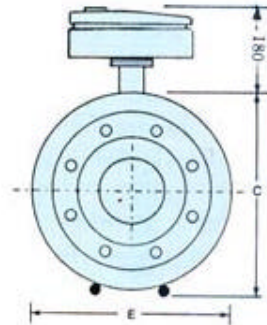
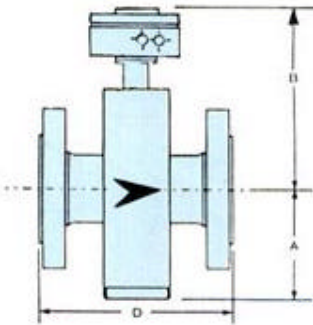




● With Seperate Flow Transmitter



● With Integral Flow Transmitter



**Meter Dimensions (mm) :**

DN(mm)	A	B	C	D	E	F
10,15,20	65	240	125	200	120	190
25,32	80	255	155	200	150	205
40,50	130	305	230	200	225	245
65,80	130	305	230	200	225	245
100,125	170	345	330	250	325	295
150	190	365	370	300	365	315
200	245	420	480	350	475	370
250	295	420	580	400	575	420
300	335	510	660	500	655	450
350	360	535	710	500	705	485
400	395	570	780	600	775	520
450	430	605	855	600	850	555
500	465	640	925	600	920	590
600	550	725	1090	600	1085	675

Notes : 1. Above dimensions are with ANSI 150 / DIN PN 16 flanges.(for other flange ratings - Consult us.)  
 2. Add total 10 mm for two earthing / liner protection rings to dimension 'D'.